

AC VOLTAGE TRANSDUCER

VTP2 - □ □

CONSTANT CURRENT OUTPUT /AUXILIARY SUPPLY FREE TYPE
WITH WAVEFORM COMPENSATION 3rd HARMONICS 5%

Use

Converts AC voltage in an electric power system into a DC signal in proportion to input.

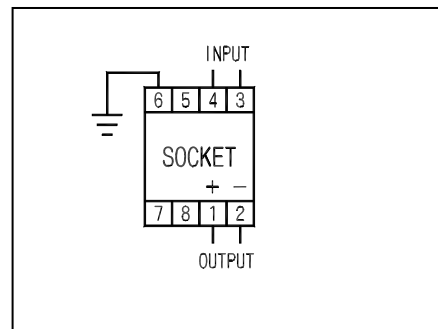
Features

1. Auxiliary supply free type.
2. Constant voltage/current output.
3. Withstand voltage between input, output, auxiliary supply and outer case (earth) is AC2, 000V (50/60Hz), complete insulation for 1 minute.
4. Electrostatic shield between primary and secondary protects output side equipments from a lightning surge or suchlike from input side.
5. Impulse withstands voltage 5kV, 1.2/50µs (between electric circuit and earth), and positive/ negative polarity 3 times each is guaranteed.
6. 2kV, 1.2/50µs positive/negative polarity between input terminals (3/4), 3 times each is guaranteed.
7. Consult with us for an impulse withstand voltage between input terminals exceeds above values
8. With output line surge protection. (2, 000A, 8/20µs, positive/negative polarity) , can transmit an output directly to a distant place.



VTP2-53
(80 × 50 × 121mm/400g)

Connection diagram



Specification

Input	Output	Common specification
① : AC0-63.5V ② : AC0-86.6V ③ : AC0-110V ④ : AC0-127V ⑤ : AC0-150V ⑥ : AC0-173.2V ⑦ : AC0-220V ⑧ : AC0-300V ⑩ : other than those above (rating frequency: 50/60Hz)	① : DC0-1mA (10k) ② : DC0-2mA (5k) ③ : DC0-5mA (2k) ⑩ : other than those above (but, MAX5mA)	Tolerance: ± 0.5% Consumption VA: Input: 3VA Weight: :400g Response time: 1sec/99%

Open of current output: even if the current output terminal is used in a state of regular open, there is no problem.
Also, a voltage of approx. 15V occurs on the output terminal.

Purchase specifications

